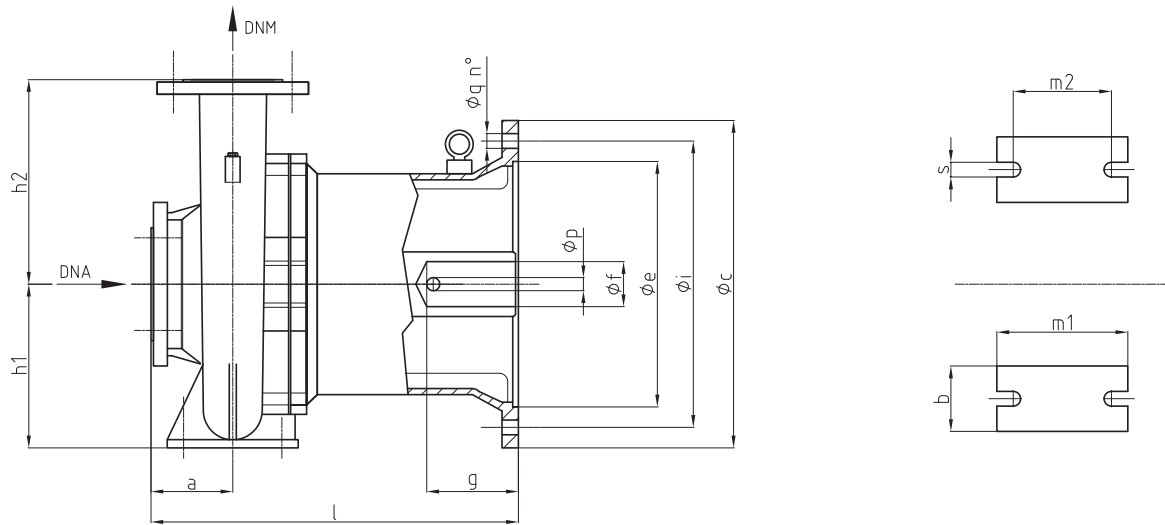


MG1 - DIMENSIONI – VERSIONI STANDARD

Dimensions – standard versions • Dimensiones – versiones estándar • Dimensions-versions standard • Abmessungen – standardausführung • Размеры – базовые исполнения



| Тип Type Тип | DNA | DNM | l [mm] | a [mm] | m1 [mm] | m2 [mm] | n1 [mm] | n2 [mm] | h1 [mm] | h2 [mm] | s [mm] | b [mm] | Ø c [mm] | Ø i [mm] | Ø e [mm] | Ø f [mm] | g [mm] | p [mm] | Ø q x n° [mm] | kg |
|--------------------|-----|-----|-----------|-----------|------------|------------|------------|------------|------------|------------|-----------|-----------|-------------|-------------|-------------|-------------|-----------|-----------|---------------------|------|
| MG1-32-200NB | 50 | 32 | 340 | 80 | 100 | 70 | 240 | 190 | 160 | 180 | 14 | 50 | 300 | 265 | 230 | 38 | 82 | 10 | 14x4 | 45 |
| MG1-32-200NA | 50 | 32 | 340 | 80 | 100 | 70 | 240 | 190 | 160 | 180 | 14 | 50 | 300 | 265 | 230 | 38 | 82 | 10 | 14x4 | 45,5 |
| MG1-32-250E | 50 | 32 | 365 | 100 | 125 | 95 | 320 | 250 | 180 | 225 | 14 | 65 | 300 | 265 | 230 | 38 | 82 | 10 | 14x4 | 56 |
| MG1-32-250D | 50 | 32 | 365 | 100 | 125 | 95 | 320 | 250 | 180 | 225 | 14 | 65 | 300 | 265 | 230 | 38 | 82 | 10 | 14x4 | 56,5 |
| MG1-32-250C | 50 | 32 | 400 | 100 | 125 | 95 | 320 | 250 | 180 | 225 | 14 | 65 | 350 | 300 | 250 | 42 | 112 | 12 | 18x4 | 62 |
| MG1-32-250B | 50 | 32 | 400 | 100 | 125 | 95 | 320 | 250 | 180 | 225 | 14 | 65 | 350 | 300 | 250 | 42 | 112 | 12 | 18x4 | 62 |
| MG1-32-250A | 50 | 32 | 400 | 100 | 125 | 95 | 320 | 250 | 180 | 225 | 14 | 65 | 350 | 300 | 250 | 42 | 112 | 12 | 18x4 | 62,5 |
| MG1-32-250SE | 50 | 32 | 365 | 100 | 125 | 95 | 320 | 250 | 180 | 225 | 14 | 65 | 300 | 265 | 230 | 38 | 82 | 10 | 14x4 | 56 |
| MG1-32-250SD | 50 | 32 | 365 | 100 | 125 | 95 | 320 | 250 | 180 | 225 | 14 | 65 | 300 | 265 | 230 | 38 | 82 | 10 | 14x4 | 56,5 |
| MG1-32-250SC | 50 | 32 | 400 | 100 | 125 | 95 | 320 | 250 | 180 | 225 | 14 | 65 | 350 | 300 | 250 | 42 | 112 | 12 | 18x4 | 62 |
| MG1-32-250SB | 50 | 32 | 400 | 100 | 125 | 95 | 320 | 250 | 180 | 225 | 14 | 65 | 350 | 300 | 250 | 42 | 112 | 12 | 18x4 | 62 |
| MG1-32-250SAB | 50 | 32 | 400 | 100 | 125 | 95 | 320 | 250 | 180 | 225 | 14 | 65 | 350 | 300 | 250 | 42 | 112 | 12 | 18x4 | 62,5 |
| MG1-32-250SA | 50 | 32 | 400 | 100 | 125 | 95 | 320 | 250 | 180 | 225 | 14 | 65 | 350 | 300 | 250 | 42 | 112 | 12 | 18x4 | 62,5 |
| MG1-40-160NA | 65 | 40 | 340 | 80 | 100 | 70 | 240 | 190 | 132 | 160 | 14 | 50 | 300 | 265 | 230 | 38 | 82 | 10 | 14x4 | 40,5 |
| MG1-40-200B | 65 | 40 | 360 | 100 | 100 | 70 | 265 | 212 | 160 | 180 | 14 | 50 | 300 | 265 | 230 | 38 | 82 | 10 | 14x4 | 47 |
| MG1-40-200A | 65 | 40 | 360 | 100 | 100 | 70 | 265 | 212 | 160 | 180 | 14 | 50 | 300 | 265 | 230 | 38 | 82 | 10 | 14x4 | 47,5 |
| MG1-40-200NB | 65 | 40 | 360 | 100 | 100 | 70 | 265 | 212 | 160 | 180 | 14 | 50 | 300 | 265 | 230 | 38 | 82 | 10 | 14x4 | 47 |
| MG1-40-200NA | 65 | 40 | 400 | 100 | 100 | 70 | 265 | 212 | 160 | 180 | 14 | 50 | 350 | 300 | 250 | 42 | 112 | 12 | 18x4 | 53 |
| MG1-40-250C | 65 | 40 | 365 | 100 | 125 | 95 | 320 | 250 | 180 | 225 | 14 | 65 | 300 | 265 | 230 | 38 | 82 | 10 | 14x4 | 58 |
| MG1-40-250B | 65 | 40 | 400 | 100 | 125 | 95 | 320 | 250 | 180 | 225 | 14 | 65 | 350 | 300 | 250 | 42 | 112 | 12 | 18x4 | 63 |
| MG1-40-250A | 65 | 40 | 400 | 100 | 125 | 95 | 320 | 250 | 180 | 225 | 14 | 65 | 350 | 300 | 250 | 42 | 112 | 12 | 18x4 | 63,5 |
| MG1-40-250NE | 65 | 40 | 400 | 100 | 125 | 95 | 320 | 250 | 180 | 225 | 14 | 65 | 350 | 300 | 250 | 42 | 112 | 12 | 18x4 | 62,5 |
| MG1-40-250ND | 65 | 40 | 400 | 100 | 125 | 95 | 320 | 250 | 180 | 225 | 14 | 65 | 350 | 300 | 250 | 42 | 112 | 12 | 18x4 | 62,5 |
| MG1-40-250NC | 65 | 40 | 400 | 100 | 125 | 95 | 320 | 250 | 180 | 225 | 14 | 65 | 350 | 300 | 250 | 42 | 112 | 12 | 18x4 | 63 |
| MG1-40-250NB | 65 | 40 | 400 | 100 | 125 | 95 | 320 | 250 | 180 | 225 | 14 | 65 | 350 | 300 | 250 | 42 | 112 | 12 | 18x4 | 63 |
| MG1-40-250NA | 65 | 40 | 414 | 100 | 125 | 95 | 320 | 250 | 180 | 225 | 14 | 65 | 350 | 300 | 250 | 42 | 112 | 14 | 18x4 | 67 |
| MG1-40-250NA | 65 | 40 | 414 | 100 | 125 | 95 | 320 | 250 | 180 | 225 | 14 | 65 | 350 | 300 | 250 | 42 | 112 | 14 | 18x4 | 67 |
| MG1-50-160B | 65 | 50 | 390 | 125 | 100 | 70 | 265 | 212 | 160 | 180 | 14 | 50 | 300 | 265 | 230 | 38 | 82 | 10 | 14x4 | 45 |
| MG1-50-160A | 65 | 50 | 390 | 125 | 100 | 70 | 265 | 212 | 160 | 180 | 14 | 50 | 300 | 265 | 230 | 38 | 82 | 10 | 14x4 | 45,5 |
| MG1-50-160NC | 65 | 50 | 360 | 125 | 100 | 70 | 265 | 212 | 160 | 180 | 14 | 50 | 300 | 265 | 230 | 38 | 82 | 10 | 14x4 | 45 |

| Tipo Type Тип | DNA | DNM | l [mm] | a [mm] | m1 [mm] | m2 [mm] | n1 [mm] | n2 [mm] | h1 [mm] | h2 [mm] | s [mm] | b [mm] | Ø c [mm] | Ø i [mm] | Ø e [mm] | Ø f [mm] | g [mm] | p [mm] | Ø q x n° [mm] | kg |
|---------------------|-----|-----|-----------|-----------|------------|------------|------------|------------|------------|------------|-----------|-----------|-------------|-------------|-------------|-------------|-----------|-----------|---------------------|------|
| MG1-50-160NB | 65 | 50 | 360 | 125 | 100 | 70 | 265 | 212 | 160 | 180 | 14 | 50 | 300 | 265 | 230 | 38 | 82 | 10 | 14x4 | 45 |
| MG1-50-160NA | 65 | 50 | 360 | 125 | 100 | 70 | 265 | 212 | 160 | 180 | 14 | 50 | 300 | 265 | 230 | 38 | 82 | 10 | 14x4 | 45,5 |
| MG1-50-200C | 65 | 50 | 365 | 100 | 100 | 70 | 265 | 212 | 160 | 200 | 14 | 50 | 300 | 265 | 230 | 38 | 82 | 10 | 14x4 | 50 |
| MG1-50-200B | 65 | 50 | 400 | 100 | 100 | 70 | 265 | 212 | 160 | 200 | 14 | 50 | 350 | 300 | 250 | 42 | 112 | 12 | 18x4 | 56,5 |
| MG1-50-200A | 65 | 50 | 400 | 100 | 100 | 70 | 265 | 212 | 160 | 200 | 14 | 50 | 350 | 300 | 250 | 42 | 112 | 12 | 18x4 | 57 |
| MG1-50-200SD | 65 | 50 | 365 | 100 | 100 | 70 | 265 | 212 | 160 | 200 | 14 | 50 | 300 | 265 | 230 | 38 | 82 | 10 | 14x4 | 50 |
| MG1-50-200SC | 65 | 50 | 400 | 100 | 100 | 70 | 265 | 212 | 160 | 200 | 14 | 50 | 350 | 300 | 250 | 42 | 112 | 12 | 18x4 | 56,5 |
| MG1-50-200SB | 65 | 50 | 400 | 100 | 100 | 70 | 265 | 212 | 160 | 200 | 14 | 50 | 350 | 300 | 250 | 42 | 112 | 12 | 18x4 | 57 |
| MG1-50-200SA | 65 | 50 | 400 | 100 | 100 | 70 | 265 | 212 | 160 | 200 | 14 | 50 | 350 | 300 | 250 | 42 | 112 | 12 | 18x4 | 57 |
| MG1-50-200NC | 65 | 50 | 400 | 100 | 100 | 70 | 265 | 212 | 160 | 200 | 14 | 50 | 350 | 300 | 250 | 42 | 112 | 12 | 18x4 | 58 |
| MG1-50-200NB | 65 | 50 | 400 | 100 | 100 | 70 | 265 | 212 | 160 | 200 | 14 | 50 | 350 | 300 | 250 | 42 | 112 | 12 | 18x4 | 58 |
| MG1-50-200NA | 65 | 50 | 414 | 100 | 100 | 70 | 265 | 212 | 160 | 200 | 14 | 50 | 350 | 300 | 250 | 42 | 112 | 14 | 18x4 | 60,5 |
| MG1-50-250ND | 65 | 50 | 400 | 100 | 125 | 95 | 320 | 250 | 180 | 225 | 14 | 65 | 350 | 300 | 250 | 42 | 112 | 12 | 18x4 | 64,5 |
| MG1-50-250NC/B | 65 | 50 | 400 | 100 | 125 | 95 | 320 | 250 | 180 | 225 | 14 | 65 | 350 | 300 | 250 | 42 | 112 | 12 | 18x4 | 65 |
| MG1-50-250NB/B | 65 | 50 | 414 | 100 | 125 | 95 | 320 | 250 | 180 | 225 | 14 | 65 | 350 | 300 | 250 | 48 | 112 | 14 | 18x4 | 70 |
| MG1-50-250NA | 65 | 50 | 414 | 100 | 125 | 95 | 320 | 250 | 180 | 225 | 14 | 65 | 400 | 350 | 300 | 55 | 112 | 16 | 18x4 | 73 |
| MG1-65-125B | 80 | 65 | 360 | 100 | 125 | 95 | 280 | 212 | 160 | 180 | 14 | 65 | 300 | 265 | 230 | 38 | 112 | 10 | 14x4 | 43 |
| MG1-65-125A | 80 | 65 | 360 | 100 | 125 | 95 | 280 | 212 | 160 | 180 | 14 | 65 | 300 | 265 | 230 | 38 | 112 | 10 | 14x4 | 43,5 |
| MG1-65-160C | 80 | 65 | 365 | 100 | 125 | 95 | 280 | 212 | 160 | 200 | 14 | 65 | 300 | 265 | 230 | 38 | 112 | 10 | 14x4 | 48,5 |
| MG1-65-160B | 80 | 65 | 400 | 100 | 125 | 95 | 280 | 212 | 160 | 200 | 14 | 65 | 350 | 300 | 250 | 42 | 112 | 12 | 18x4 | 54,5 |
| MG1-65-160A | 80 | 65 | 400 | 100 | 125 | 95 | 280 | 212 | 160 | 200 | 14 | 65 | 350 | 300 | 250 | 42 | 112 | 12 | 18x4 | 55 |
| MG1-65-200C | 80 | 65 | 400 | 100 | 125 | 95 | 320 | 250 | 180 | 225 | 14 | 65 | 350 | 300 | 250 | 42 | 112 | 12 | 18x4 | 61 |
| MG1-65-200B | 80 | 65 | 400 | 100 | 125 | 95 | 320 | 250 | 180 | 225 | 14 | 65 | 350 | 300 | 250 | 42 | 112 | 12 | 18x4 | 61,5 |
| MG1-65-200A | 80 | 65 | 414 | 100 | 125 | 95 | 320 | 250 | 180 | 225 | 14 | 65 | 350 | 300 | 250 | 48 | 112 | 14 | 18x4 | 65 |
| MG1-65-200NC | 80 | 65 | 400 | 100 | 125 | 95 | 320 | 250 | 180 | 225 | 14 | 65 | 350 | 300 | 250 | 42 | 112 | 12 | 18x4 | 61,5 |
| MG1-65-200NB | 80 | 65 | 414 | 100 | 125 | 95 | 320 | 250 | 180 | 225 | 14 | 65 | 350 | 300 | 250 | 48 | 112 | 14 | 18x4 | 65 |
| MG1-65-250NC | 80 | 65 | 449 | 100 | 160 | 120 | 360 | 280 | 200 | 250 | 18 | 80 | 350 | 300 | 250 | 48 | 112 | 14 | 18x4 | 78,5 |
| MG1-65-250NB | 80 | 65 | 449 | 100 | 160 | 120 | 360 | 280 | 200 | 250 | 18 | 80 | 400 | 350 | 300 | 55 | 112 | 16 | 18x4 | 81,5 |
| MG1-65-250NA | 80 | 65 | 449 | 100 | 160 | 120 | 360 | 280 | 200 | 250 | 18 | 80 | 400 | 350 | 300 | 55 | 112 | 16 | 18x4 | 82 |
| MG1-80-160G | 100 | 80 | 390 | 125 | 125 | 95 | 320 | 250 | 180 | 225 | 14 | 65 | 300 | 265 | 230 | 38 | 112 | 10 | 14x4 | 52 |
| MG1-80-160F | 100 | 80 | 390 | 125 | 125 | 95 | 320 | 250 | 180 | 225 | 14 | 65 | 300 | 265 | 230 | 38 | 112 | 10 | 14x4 | 52,5 |
| MG1-80-160E | 100 | 80 | 390 | 125 | 125 | 95 | 320 | 250 | 180 | 225 | 14 | 65 | 300 | 265 | 230 | 38 | 112 | 10 | 14x4 | 53 |
| MG1-80-160D | 100 | 80 | 425 | 125 | 125 | 95 | 320 | 250 | 180 | 225 | 14 | 65 | 350 | 300 | 250 | 42 | 112 | 12 | 18x4 | 60 |
| MG1-80-160C | 100 | 80 | 425 | 125 | 125 | 95 | 320 | 250 | 180 | 225 | 14 | 65 | 350 | 300 | 250 | 42 | 112 | 12 | 18x4 | 60,5 |
| MG1-80-160B | 100 | 80 | 425 | 125 | 125 | 95 | 320 | 250 | 180 | 225 | 14 | 65 | 350 | 300 | 250 | 42 | 112 | 12 | 18x4 | 61 |
| MG1-80-160A | 100 | 80 | 439 | 125 | 125 | 95 | 320 | 250 | 180 | 225 | 14 | 65 | 350 | 300 | 250 | 48 | 112 | 14 | 18x4 | 62,5 |
| MG1-80-200B | 100 | 80 | 474 | 125 | 125 | 95 | 345 | 280 | 180 | 250 | 14 | 65 | 400 | 350 | 300 | 55 | 112 | 16 | 18x4 | 76 |
| MG1-80-200A | 100 | 80 | 474 | 125 | 125 | 95 | 345 | 280 | 180 | 250 | 14 | 65 | 400 | 350 | 300 | 55 | 112 | 16 | 18x4 | 77 |
| MG1-80-250C | 100 | 80 | 517 | 125 | 160 | 120 | 400 | 315 | 200 | 280 | 18 | 80 | 450 | 400 | 350 | 60 | 142 | 18 | 18x8 | 112 |
| MG1-80-250B | 100 | 80 | 517 | 125 | 160 | 120 | 400 | 315 | 200 | 280 | 18 | 80 | 550 | 500 | 450 | 60 | 142 | 18 | 18x8 | 122 |
| MG1-80-250A | 100 | 80 | 517 | 125 | 160 | 120 | 400 | 315 | 200 | 280 | 18 | 80 | 550 | 500 | 450 | 65 | 142 | 18 | 18x8 | 124 |

Dimensioni per accoppiamento con motori normalizzati IEC EN 50347 • Dimensions for coupling with standard motors according to IEC EN 50347 • Dimensionados para acoplarse con los motores estándar IEC EN 50347 • Dimensionné pour accouplement avec des moteurs standard IEC EN 50347 • Groesse fuer Kupplung mit normalisierter Motoren IEC EN 50347 • Размеры для подсоединения к унифицированным двигателям IEC EN 50347.

Disegni dimensionali, pesi e immagini sono unicamente indicativi e non vincolanti • Dimensional drawing, weight and picture are indicative only and not binding • Dimensiones, pesos y fotografías son indicativos y no vinculantes • Schemas d'encombrement, les poids et les images sont a titre indicatif et pas contraignantes • Die Abmessungen, Gewichte und Bilder sind unverbindlich und verpflichtend. • Габаритные чертежи, веса и изображения являются.